



Design No. V314 BXUV.V314 Fire-resistance Ratings - ANSI/UL 263

[Page Bottom](#)

Design/System/Construction/Assembly Usage Disclaimer

- Authorities Having Jurisdiction should be consulted in all cases as to the particular requirements covering the installation and use of UL Certified products, equipment, system, devices, and materials.
- Authorities Having Jurisdiction should be consulted before construction.
- Fire resistance assemblies and products are developed by the design submitter and have been investigated by UL for compliance with applicable requirements. The published information cannot always address every construction nuance encountered in the field.
- When field issues arise, it is recommended the first contact for assistance be the technical service staff provided by the product manufacturer noted for the design. Users of fire resistance assemblies are advised to consult the general Guide Information for each product category and each group of assemblies. The Guide Information includes specifics concerning alternate materials and alternate methods of construction.
- Only products which bear UL's Mark are considered Certified.

BXUV - Fire-resistance Ratings - ANSI/UL 263

[See General Information for Fire-resistance Ratings - ANSI/UL 263](#)

Design No. V314

December 23, 2014

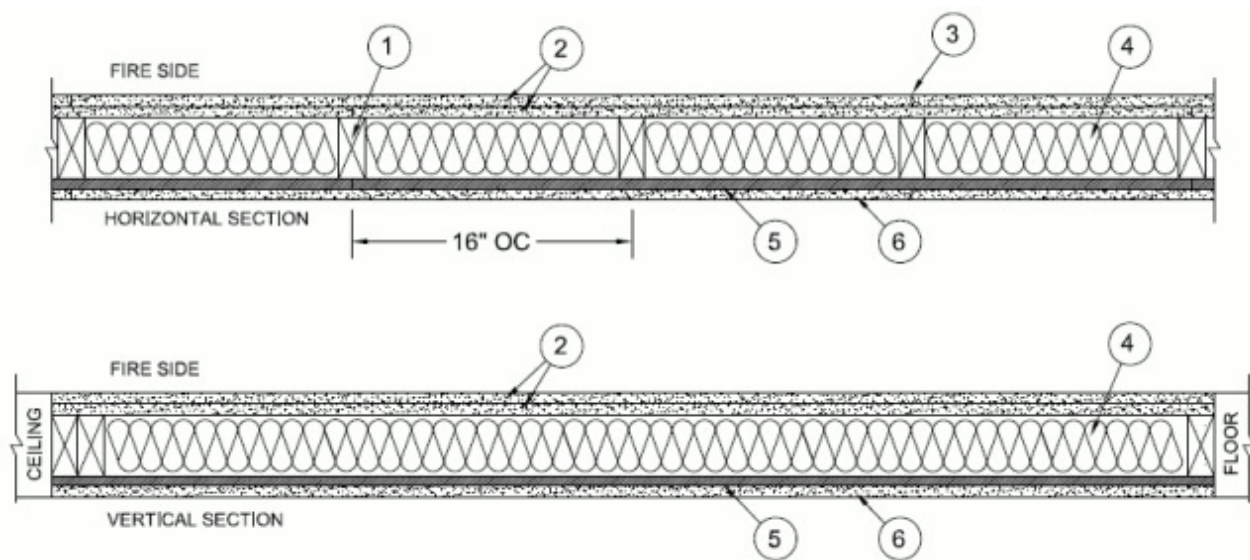
Bearing Wall Rating — 2 Hr

(EXPOSED TO FIRE ON INTERIOR FACE ONLY)

Finish Rating — 54 min

Loaded Per 2012 NDS Supplement, ASD Method, Wall Braced Mid-Height

*** Indicates such products shall bear the UL or cUL Certification Mark for jurisdictions employing the UL or cUL Certification (such as Canada), respectively.**



1. Framing Members* — Pressure-treated, fire-retardant Wood Studs - Douglas Fir, nom. 2 by 4 in., spaced 16 in. OC in. effectively fire stopped. As an option, nominal 2 by 6 in., spaced 24 in. OC effectively fire-stopped.

HOOVER TREATED WOOD PRODUCTS INC — Pyro-Guard treated lumber

2. Gypsum Board* — Nom 5/8 in. thick, 4 ft. wide, two layers applied vertically. Base layer nailed to wood studs and bearing plates 6 in. OC. with 6d cement coated nails, 1-7/8 in. long, 0.0915 in. shank diam. and 1/4 in. diam. head. The face layer, with joints staggered from base layer, nailed to the studs and bearing plates over the base layer, 8 in. OC with 8d cement coated nails, 2-3/8 in. long, 0.113 in. shank diam. 9/32 in. diam. head.

ACADIA DRYWALL SUPPLIES LTD ([View Classification](#)) — Type X, Moisture Resistant Type X, Gypsum Sheathing Type X, Mold & Mildew Resistant Type X, Mold & Mildew Resistant AR Type X, Type Blueglass Exterior Sheathing

AMERICAN GYPSUM CO ([View Classification](#)) — Type AGX-1, Type AG-C

BEIJING NEW BUILDING MATERIALS PUBLIC LTD CO ([View Classification](#)) — Type DBX-1

CERTAINTED GYPSUM INC ([View Classification](#)) — Type X, Type EGRG or GlasRoc, SilentFX, Type FRPC, Type C

CGC INC ([View Classification](#)) — Type AR, Type IP-X1, Type IP-X2, Type IP-AR, Type IPC-AR, Type SCX, Type SHX, Type WRX, Type C

CONTINENTAL BUILDING PRODUCTS OPERATING CO, L L C ([View Classification](#)) — Type LGFC-C/A, Type LGFC2A, Type LGFC-WD

GEORGIA-PACIFIC GYPSUM L L C ([View Classification](#)) — Types GPFS1, Type GPFS2, Type GPFS6, Type DA, Type DAPC, Type DGG, Type DD, Type DS, Type DAP, Type 5, Type 6

NATIONAL GYPSUM CO ([View Classification](#)) — Type FSK-G, Type FSW-G, Type FSW-5, Type FSW-6, Type FSK-C, Type FSW-C

PABCO BUILDING PRODUCTS L L C, DBA PABCO GYPSUM ([View Classification](#)) — Type PG-2, Type PG-3W, Type PG-3WS, Type PG-4, Type PG-5W, Type PG-5WS, Type PG-6, Type PG-WRS, Type QuietRock ES, Type C

PANEL REY S A ([View Classification](#)) — Type PRX, Type RHX, Type MDX, Type, ETX, Type GREX

SIAM GYPSUM INDUSTRY (SARABURI) CO LTD ([View Classification](#)) — Type EX-1

THAI GYPSUM PRODUCTS PCL ([View Classification](#)) — Type X, Type C

UNITED STATES GYPSUM CO ([View Classification](#)) — Type AR, Type IP-X1, Type IP-X2, Type IP-AR, Type IPC-AR, Type SCX, Type SGX, Type SHX, Type WRX, Type C

USG MEXICO S A DE C V ([View Classification](#)) — Type AR, Type IP-X1, Type IP-X2, Type IP-AR, Type IPC-AR, Type SCX, Type SHX, Type WRX, Type C

3. Joints and Nailheads — Gypsum board joints covered with tape and joint compound. Nail heads covered with joint compound.

4. Batts and Blankets* — Faced or unfaced mineral fiber insulation, 3-1/2 in. thick, nom 3.0 pcf, pressure fit in the wall cavity between stud, plates, and cross bracing. Insulation may be applied in multiple layers to achieve final thickness.

See Batts and Blankets* (BZJZ) category for names of Classified manufacturers.

5. Building Units* — Pressure-treated, fire-retardant plywood installed vertically nailed to the wood framing with 1-7/8 in. long, 6d nails, spaced 6 in. OC. on the perimeter and 12 in. OC. in the field. Vertical and horizontal joints are backed by framing. Panels provided in nominal size of 48 in. wide by 96 in. long by 15/32 in. thick.

HOOVER TREATED WOOD PRODUCTS INC — Pyro-Guard treated plywood

6. Exterior Facings — Any exterior facing, as authorized by the Authority Having Jurisdiction and installed in accordance with the manufacturer's installation instructions. Exterior facings may include, but are not limited to:

- 6A. **Molded Plastic*** — Solid vinyl siding mechanically secured to framing members in accordance with manufacturer's recommended installation details.
- 6B. **Brick** — Brick veneer, meeting the requirements of local code agencies. Brick veneer attached to the studs with corrugated metal wall ties attached to each stud with 8d cement coated nails, every sixth course of bricks.
- 6C. **Particle Board Siding*** — Oriented strand board, wafer board, or hard board exterior building sidings including patterned panels.
- 6D. **T1-11 Plywood** — American Plywood Association rated siding series 303 including textures, rough sawn, MDO, brushed, channel grooved, and lap siding.
- 6E. **Cementitious Stucco** — Portland cement or synthetic stucco systems with self-furring metal lath or adhesive base coat. Thickness from 3/8 in. to 3/4 in. depending on system.

*** Indicates such products shall bear the UL or cUL Certification Mark for jurisdictions employing the UL or cUL Certification (such as Canada), respectively.**

Last Updated on 2014-12-23

[Questions?](#)

[Print this page](#)

[Terms of Use](#)

[Page Top](#)

© 2015 UL LLC

When the UL Leaf Mark is on the product, or when the word "Environment" is included in the UL Mark, please search the [UL Environment database](#) for additional information regarding this product's certification.

The appearance of a company's name or product in this database does not in itself assure that products so identified have been manufactured under UL's Follow-Up Service. Only those products bearing the UL Mark should be considered to be Certified and covered under UL's Follow-Up Service. Always look for the Mark on the product.

UL permits the reproduction of the material contained in the Online Certification Directory subject to the following conditions: 1. The Guide Information, Assemblies, Constructions, Designs, Systems, and/or Certifications (files) must be presented in their entirety and in a non-misleading manner, without any manipulation of the data (or drawings). 2. The statement "Reprinted from the Online Certifications Directory with permission from UL" must appear adjacent to the extracted material. In addition, the reprinted material must include a copyright notice in the following format: "© 2015 UL LLC".